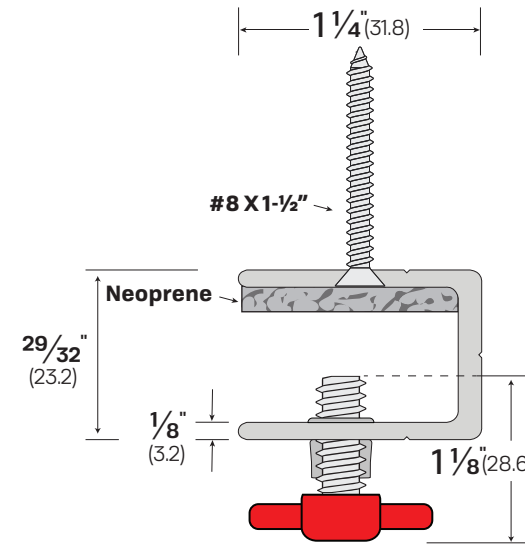


**#22070CH-INSIDE**  
(INSIDE MOUNT)



**#22070CH-OUTSIDE**  
(OUTSIDE MOUNT)

**AVAILABLE FINISHES:**

- BK** : Black Anodized Aluminum
- CA** : Clear Anodized Aluminum

**PRODUCT SPECIFICATIONS:**

**Aluminum Channel:** Inside mount aluminum channels for the Legacy Door Flood Barrier Shield. This product is manufactured with tightening screws mounted every 8 1/2". This part can be modified for outside mount Flood Barrier Shields if specified. Standard channels for outside mount Flood Barrier Shield are 29/32" x 29/32" x 29/32" x 1/8".



**Website:** DoorFloodBarrier.com  
**General Inquiries:** contact@legacyllc.com  
**Orders:** orders@legacyllc.com  
**Main Office:** 415 Concord Avenue Bronx, NY 10455  
**Phone:** (718) 292-5333  
**Fax:** (888) 383-3330

<b>Project :</b>	<b>Submitted By :</b>
<b>Date :</b>	<b>Notes :</b>
<b>Company Name :</b>	