



Website: DoorFloodBarrier.com
General Inquiries: contact@legacyllc.com
Orders: orders@legacyllc.com
Main Office: 415 Concord Avenue Bronx, NY 10455
Phone: (718) 292-5333
Fax: (888) 383-3330

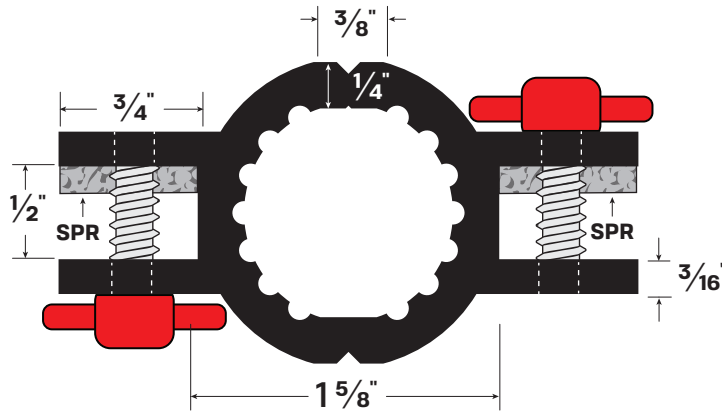
PROJECT

DATE

COMPANY

NOTES

#2275 Interlocking Post



Product Specifications

Frames	Channel 6062 alloy T5-T6, with 10-32 stainless steel Allen head tightening screws every 8" on center.	Hardware	#10 x 1-1/4" FHPH with plastic expansion tube anchors. Snap covers for safety provided for the top of the channels and for the mounting holes.
Seal	Sponge Neoprene within the channels.	Installation	Can be installed on hollow metal, aluminum or wood frames; and on concrete, brick or metal surfaces.