



Website: DoorFloodBarrier.com
General Inquiries: contact@legacyllc.com
Orders: orders@legacyllc.com
Main Office: 415 Concord Avenue Bronx, NY 10455
Phone: (718) 292-5333
Fax: (888) 383-3330

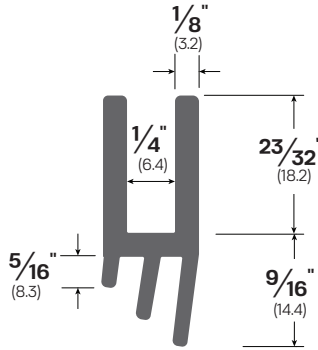
PROJECT

DATE

COMPANY

NOTES

#47205N Rubber Replacement



Product Specifications

Seal Solid Neoprene 3-Finger Rubber on the bottom of the panel.
