



Website: DoorFloodBarrier.com

General Inquiries: contact@legacyllc.com

Orders: orders@legacyllc.com

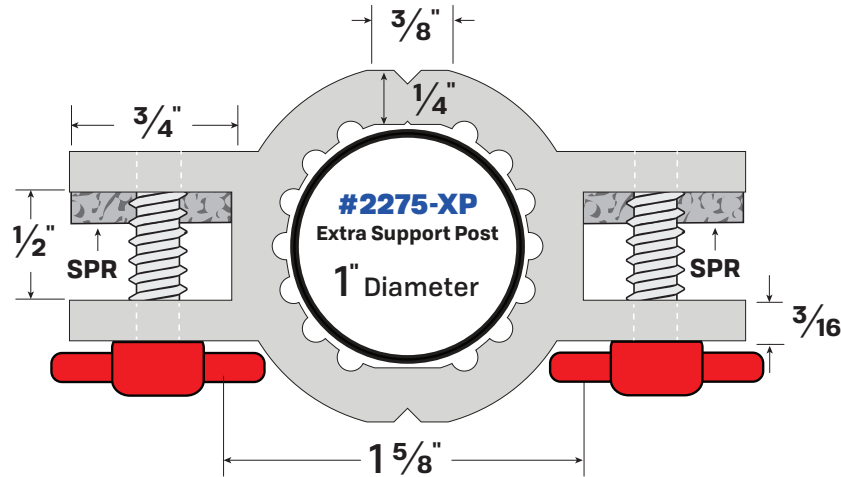
Main Office: 415 Concord Avenue Bronx, NY 10455

Phone: (718) 292-5333

Fax: (888) 383-3330

Door Flood Barrier - Extra Interlocking Post #2275-XP

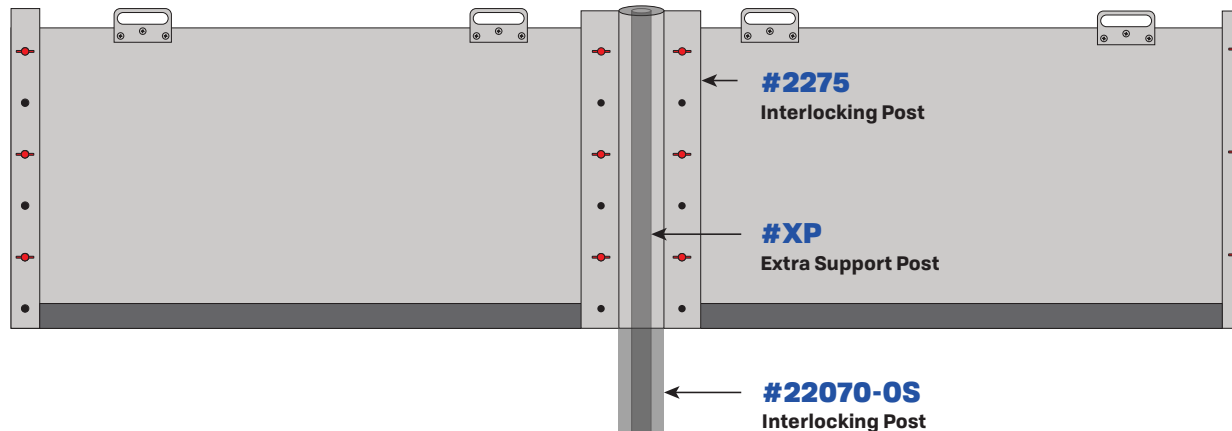
Top View



MATERIALS / SPECIFICATIONS

- This piece connects multiple flood shields. It is to be purchased with **5029** or **5129** for large-scale openings.
- 5052 type Marine-grade Aluminum
- **XP** and **22070-OS** are both Black Prime Steel.
- 29/32" x 1-1/4" x 1/8" channel aluminum extrusion
- #10- 32 x 3/4" Stainless Steel screws, press fit with two arm head
- Close cell sponge compression EPDM, SRE type

Front View



Project :	Submitted By :
Date :	Notes :
Company Name :	