



Website: DoorFloodBarrier.com

General Inquiries: contact@legacyllc.com

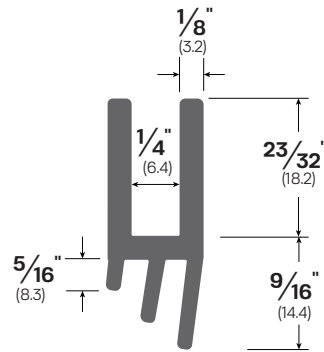
Orders: orders@legacyllc.com

Main Office: 415 Concord Avenue Bronx, NY 10455

Phone: (718) 292-5333

Fax: (888) 383-3330

Replacement Rubber #47205N



MATERIAL & COLORS

BK - Black EPDM

Project :	Submitted By :
Date :	Notes :
Company Name :	